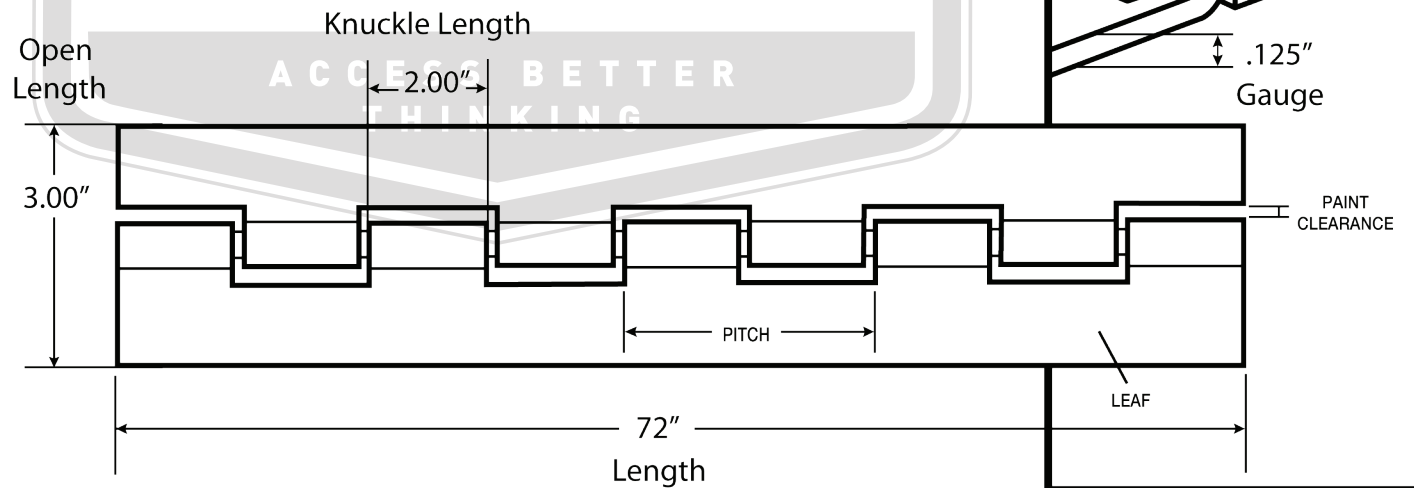
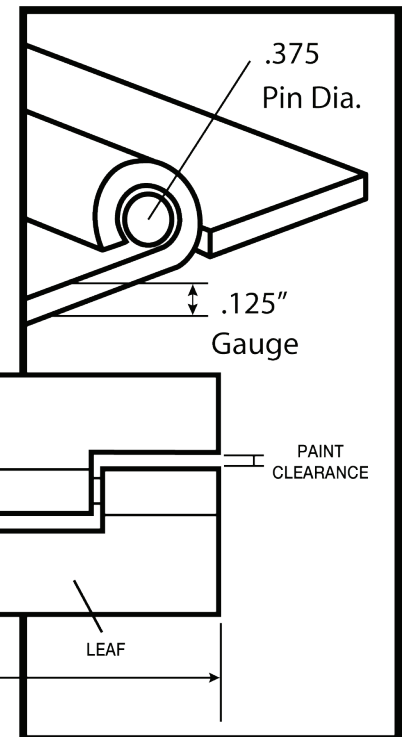


APPROVAL - CUSTOMER NAME & SIGNATURE

DATE

Heavy Weight Continuous Hinge (.120)

	Part Number	Gauge	Open Width In.	Pin Diameter In.	Length In.	Knuckle Length In.
Steel	H473 ST	.120	2	.375	72	2
	H474 ST	.120	2-1/2	.375	72	2
	H475 ST	.120	3	.375	72	2
	H477 ST	.120	4	.375	72	2



ALLEGIS		1-866-378-7550
MATERIAL:	DRAWING NO. : H475ST	
FINISH:		
REV. : 1:1	DATE:	6/17/2019